

LUCAS

ROBOTIC SYSTEM

A full range of axes for moving your robots around.

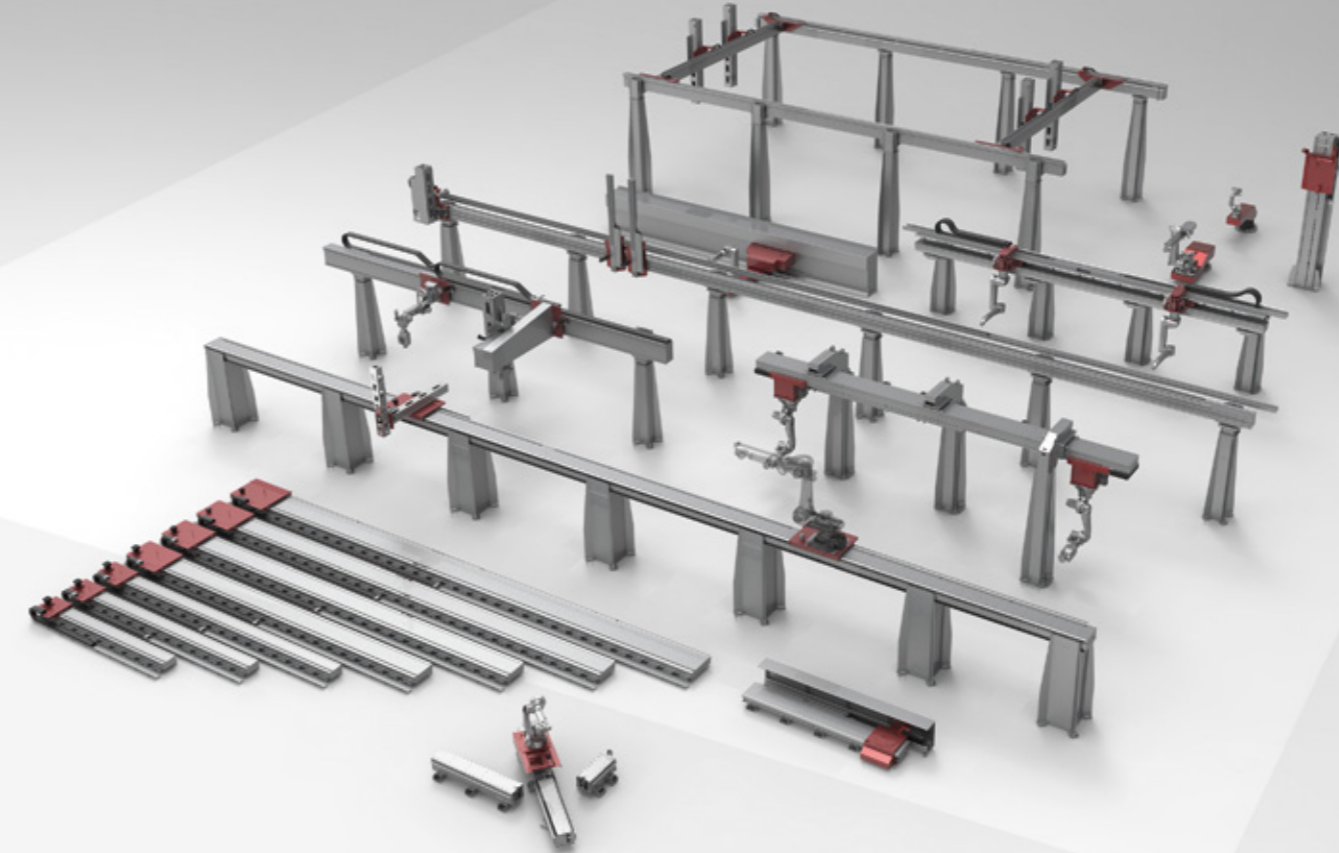
Robots from 100 Kg to 6,000 Kg for all your applications

Specialist axes for your applications:

- Painting
- Machining
- Shot blasting
- Welding

Control cabinets.

A robot recalibration service using laser trackers
(static and dynamic).



LUCAS

LUCAS

LUCAS FRANCE

ZA de Guillème - 33430 BAZAS - FRANCE
Tél : + 33 (0)5.56.65.00.30 - Fax : + 33 (0)5.56.65.00.31
contact@lucas-france.com - www.lucas-france.com

INDUSTRY 4.0

BY LUCAS ROBOTIC

www.lucas-robotic-system.com

Tracks
LUCAS
RS
Hybrid
motion

LUCAS MANUFACTURER

Lucas France propose a range of comprehensive automation solutions suited to the Industry 4.0, for robotic system integrators and manufacturers of machines with digital axes.

CANTILEVER

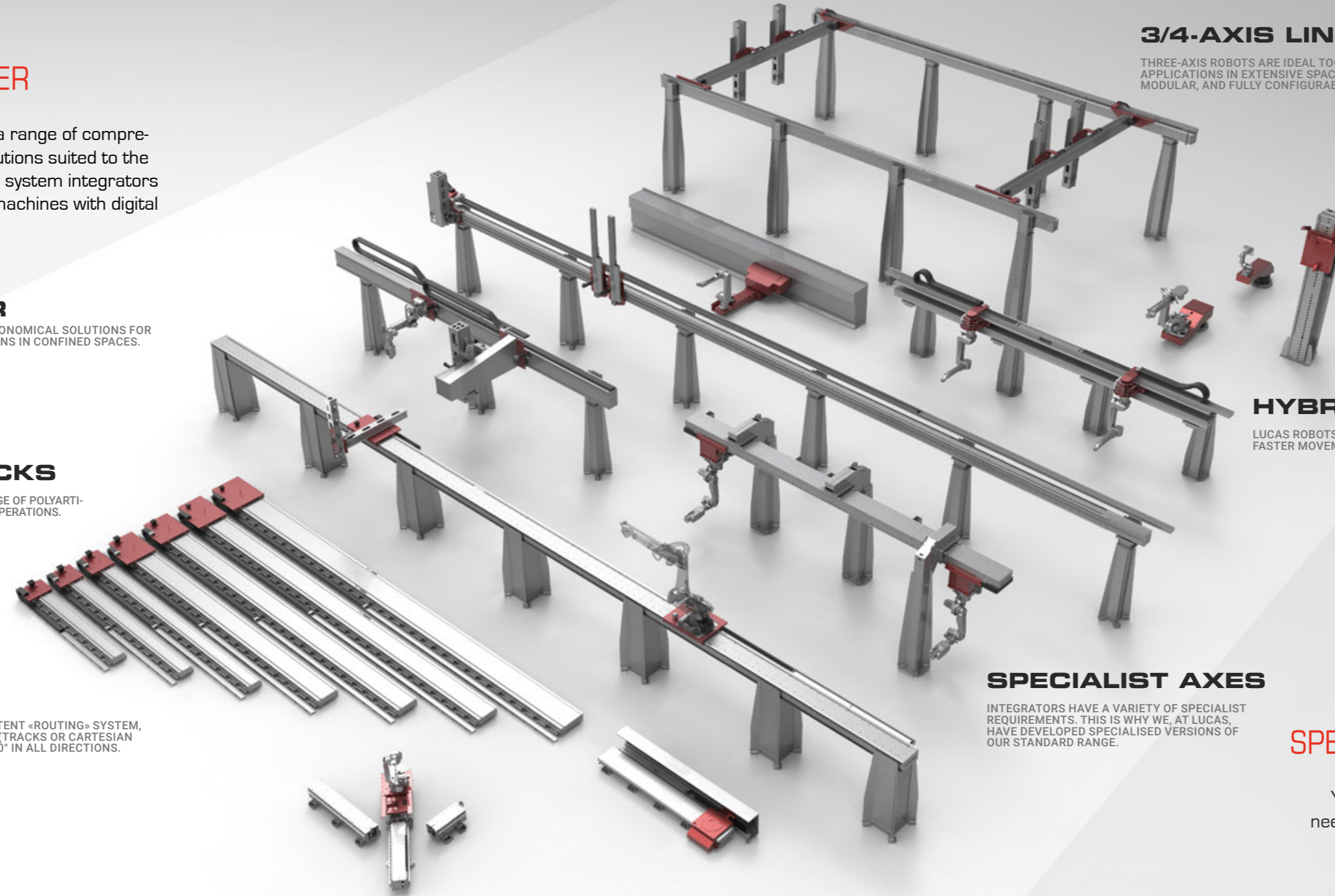
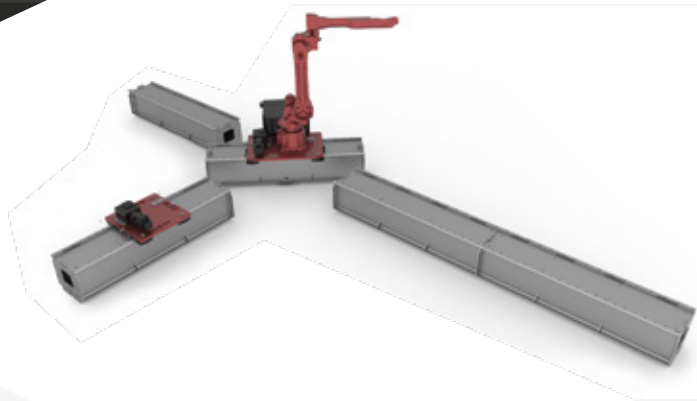
CANTILEVER ROBOTS PROVIDE ECONOMICAL SOLUTIONS FOR THREE-DIMENSIONAL APPLICATIONS IN CONFINED SPACES.

LUCAS TRACKS

LUCAS TRACKS INCREASE THE RANGE OF POLYARTICULATED ROBOTS FOR EXTENDED OPERATIONS.

LRS

THE PRINCIPLE IS BASED ON A PATENT «ROUTING» SYSTEM, WHICH ENABLES OUR RIGID AXES (TRACKS OR CARTESIAN ROBOTS) TO ROTATE THROUGH 360° IN ALL DIRECTIONS.



3/4-AXIS LINEAR MODULES

THREE-AXIS ROBOTS ARE IDEAL TOOLS FOR BUILDING THREE-DIMENSIONAL APPLICATIONS IN EXTENSIVE SPACES. THESE ROBOTS ARE STANDARDISED, MODULAR, AND FULLY CONFIGURABLE.

HYBRID MOTION

LUCAS ROBOTS COMBINE DIFFERENT KINEMATICS FOR FASTER MOVEMENT OVER LONGER RANGES.

SPECIALIST AXES

INTEGRATORS HAVE A VARIETY OF SPECIALIST REQUIREMENTS. THIS IS WHY WE, AT LUCAS, HAVE DEVELOPED SPECIALISED VERSIONS OF OUR STANDARD RANGE.

LUCAS SPECIALIST APPLICATIONS

Your business has specific automation needs. Lucas France will work with you to develop suitable robotic solutions

SURFACE TREATMENT

Processes like painting, metallisation, and shot blasting require enclosed axes, frequently compliant with ATEX directives. These types of axes require comprehensive, smart enclosures, capable of isolating sensitive components from the surrounding atmosphere.

WELDING

Welding massive parts several tens of metres long requires a combination of great dexterity and large range, which makes our hybrid motion concept ideal for welding units.

PALLETISATION/ORDER PREPARATION

The widespread use of internet has made it essential to install robots in logistics warehouses and on the end of production lines. The 3-axis gantry robot is the key system for these vast, three-dimensional spaces.

LOADING/UNLOADING MACHINES

Loading and unloading machines require rigid axes, combined with high speeds and rapid acceleration. The Lucas two-axis robot series is capable of unrivalled performance in these applications.

AERONAUTICS

The aeronautics sector makes increasing use of robots in bespoke applications. The high-performance modularity, flexibility, and precision of LUCAS robotic axes are also perfectly-suited to innovative uses in the production or quality control of avionics systems.

PRODUCT CONFIGURATOR

Lucas France offer an online configurator, to enable clients to design their own customised robots. You can use this internet system to design your own bespoke product, choosing the robot's speed, as well as its size, acceleration, etc.